

IPC-3026

Quiet Compact Chassis for Half-size SHB/SBC



Features

- Supports 6-slot PICMG 1.3/1.0 backplane
- Shockproof drive bay for one 3.5" HDD
- Supports two 2.5" HDDs by hot-swap tray
- LED indicators for system fault detection
- Lockable front door prevents unauthorized access
- Built-in Intelligent System Module enabling whole system fan control and remote manageability

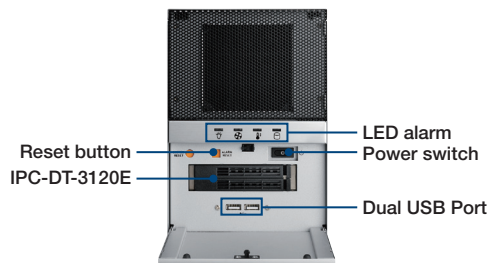
Quiet

CE FCC

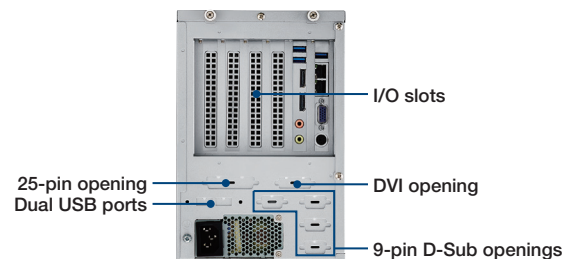
Specifications

		External	Internal
Disk Drive Bay	3.5"	1	-
Cooling	Fan	1 (9 cm 44.6 CFM)	-
	Air Filters	Yes	-
I/O Interface	USB	2 (Front accessible)	-
Miscellaneous	LED Indicators	Power, HDD, Temp, Fan	-
	Front Panel	Reset button, Power switch	-
	Rear Panel	Reserved four 9-pin D-Sub openings, 25-pin opening, DVI opening, dual USB ports	-
Intelligent System Module Remote Monitoring	CPU/System fan speed , CPU/System temperature , motherboard voltage (Only selected Advantech MBs/CPU cards with WISE-PaaS/RMM installed can fully enable these functions, check with Advantech local rep. for detailed information.)		
Environment	Temperature	Operating 0 ~ 40 °C (32 ~ 104 °F)	Non-operating -20 ~ 60 °C (-4 ~ 140 °F)
	Humidity	10 ~ 85% @ 40 °C, non-condensing	10 ~ 95% @ 40 °C, non-condensing
	Vibration (5-500 Hz)	1 Grms	2 G
	Shock	10 G (with 11 ms duration, half sine wave)	-
Physical Characteristics	Dimensions (W x H x D)	150 x 222 x 270 mm (5.9" x 8.74" x 10.63")	
	Weight	4.4 kg (9.7 lb)	

Front View

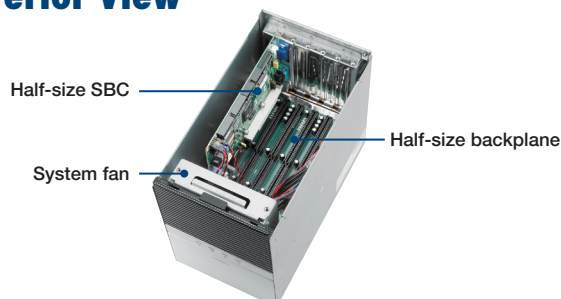


Rear View



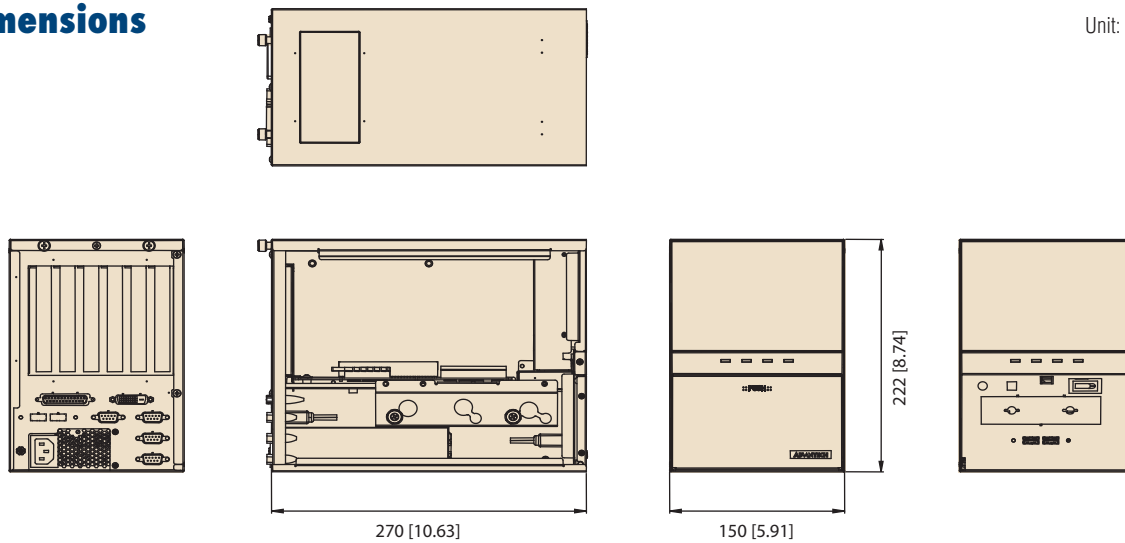
Note: Hot swap drive bay module should be bought separately.

Interior View

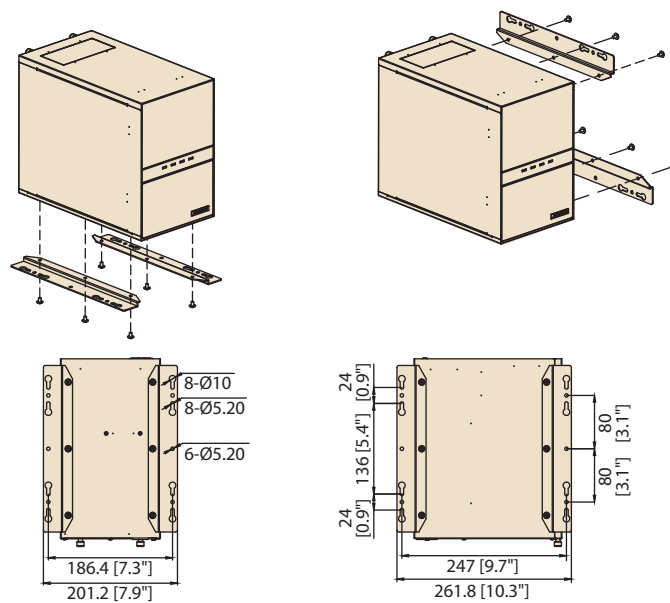


Dimensions

Unit: mm [inch]



Installation



Ordering Information

Part Number	Power Supply	Wattage	Type	Input
IPC-3026BP-15ZE	96PS-A150WFX-1	150W	Single	AC 100 - 240 V (full range)

Optional Accessories

Ordering P/N	Description
IPC-DT-3120E	Mobile rack for dual 2.5" SATA HDDs with a 3.5" drive bay occupancy

Backplane Options

Part Number	ISA	PCI	PClex16	PClex8	PClex4	PClex1	PICMG
PICMG 1.0							
PCA-6106-0B2E	5	-	-	-	-	-	1
PCA-6105P5-0B2E	-	4	-	-	-	1	
PICMG 1.3							
PCE-3B03-00A1E	-	-	1	-	1	-	1
PCE-3B06-00A1E	-	-	1	-	-	4	1
PCE-3B06-02A1E	-	2	1	-	-	2	1
PCE-3B06-03A1E	-	3	1	-	-	1	1