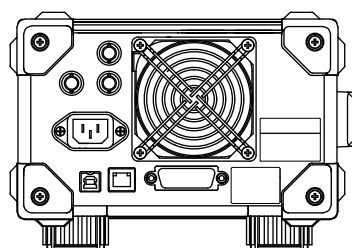
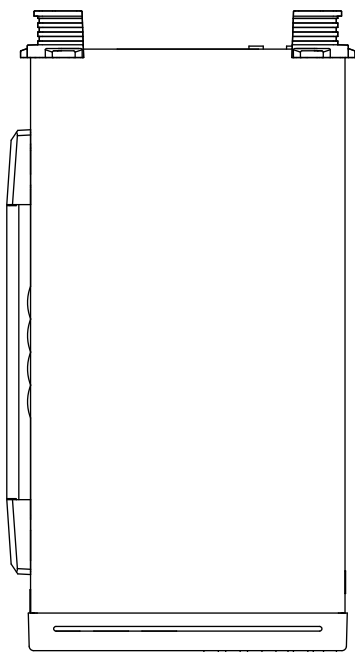


Drawings

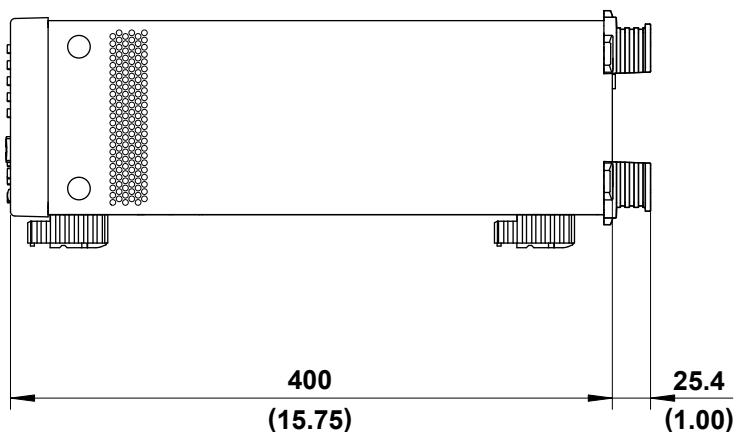
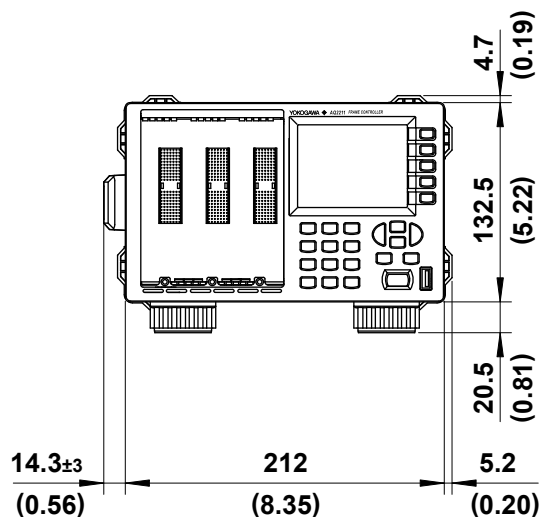
MODEL 735101 AQ2211 Frame Controller

AQ2211

Unit : mm
(approx. inch)



REAR VIEW



If not specified, the tolerance is ±3%. However, in cases of less than 10 mm, the tolerance is ±0.3 mm.