

## Product Overview

The MIWI350 product is designed to replace the current Honeywell MiWireless platform with a more competitive, reliable and easy to use solution. The MIWI350 product line provides a comprehensive selection of communication hardware and power supply systems optimized to integrate with Mercury Instruments' precision measurement instrumentation. It also includes software for Remote Monitoring and Data Acquisition (RMADA), including alarm handling and notification.

The MIWI350 device includes:

- An inbuilt Electronic Volume Corrector or Electronic Recorder
- A built-in electronic cellular modem



---

## Product Features

- CSA C/US Class 1, Division 2, Group C & D
- Compatible with MasterLink and PowerSpring software
- Available in Wall, Pipe, and Portable mounting options
- Internal or External Mounted Display
- Modem Power Control
- Optional Backup Battery for Uninterrupted EVC Functionality

---

## Power Supply Options

- AC/DC Power Supply (Refer to FD-611) - *Future Release*
- Solar Power with rechargeable Sealed Lead-Acid Battery (Refer to FD-612)
- Battery - Alkaline Packs (Dual/Quad) (Refer to FD-613)

**This quick-start guide covers the Power or Communications box variant only.**

---

## General Safety Precautions

- Lock the battery mount bracket flip cover properly after mounting the battery
- Close the door of the MIWI350 device properly
- Check the lock and latch, and lock the MIWI350 device properly
- Check the padlock properly while locking the MIWI350 device

---

## Safety and Hazardous Information

MIWI350 complies with the general safety standards and regulations. MIWI350 is approved for use in hazardous areas (Class I Division 2). Check the operating condition limits of MIWI350 before installing. You must be familiar with the currently applicable electrical installation standards and regulations before installing and operating MIWI350 in hazardous areas.

**Warning:** Denotes an explosion hazard. Ensure you follow all instructions described in the warning notification.

**Caution:** The caution warns you of possible damage to property and provides instructions to avoid damage to MIWI350.

For more information on MIWI350 user manual, refer FD-610.

## Unpacking

After you receive the MIWI350 device:

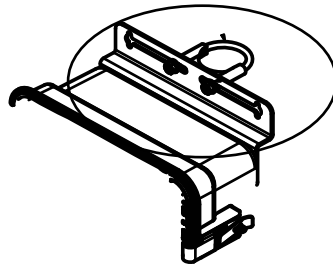
1. Remove the contents from the box and from the mounting kit bag.
2. Check the shipment against the invoice to ensure that the components ordered are installed in MIWI350.
3. Report any shortage or shipping damages to your nearest Honeywell Account Manager.

## Instrument Mounting Options

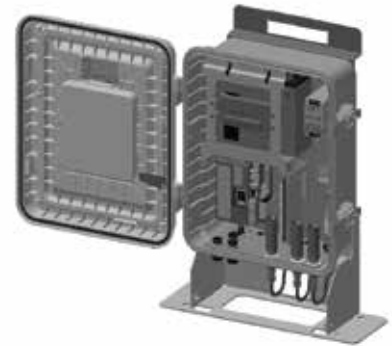
Install the MIWI350 device using one of the following mounting options:



Wall Mount



Pipe Mount



Portable Mount

## Opening and Closing the Door



01

Release the door latches of the device one at a time, and open the door of the device



02

Route the external power cable through the O5 gland and connect to power terminal block



06

Close the door of the device properly. Also, check the padlock, latchet, and lock the device.

## Installing the Dual / Quad Battery Packs

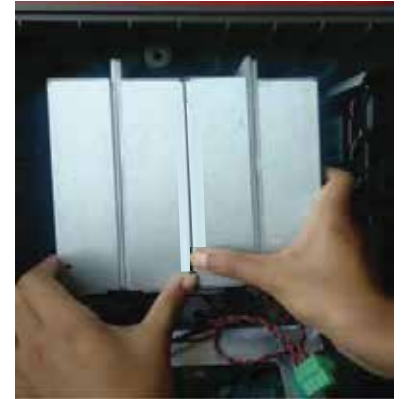


01  
Quarter turn the screw and open the battery mount bracket flip cover (-cw)



Dual battery pack

(Or)



Quad battery pack

02  
Insert the battery pack in the mount bracket through the guides of bracket and case



03  
Close the battery mount flip cover and turn back the screw (+cw)



04  
Connect the dual/quad battery cable to the alkaline battery power cable

## Connecting Solar Power and Lead-Acid Battery

For a fresh Lead-Acid Battery, the No Load Voltage is expected to be between 12.5–13.5VDC.

**WARNING:** Please perform the No Load Battery Voltage measurement in an area rendered Non Hazardous. Please exercise caution to ensure the Battery Terminals do not come in contact with any other metal objects during the measurement/handling.



01

Quarter turn the screw and open the battery mount bracket flip cover



02

Insert the battery in the mount bracket carefully



03

Connect the battery pack cable to battery charge controller cable



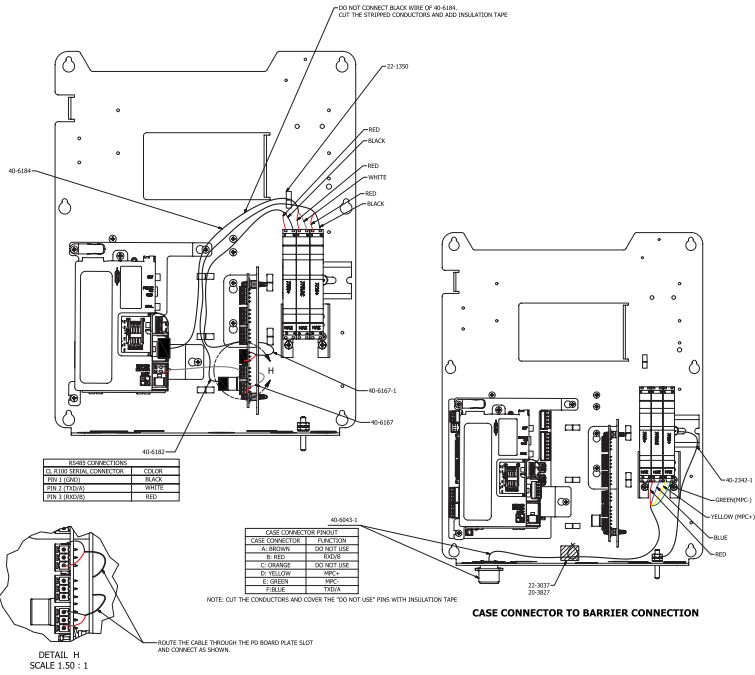
04

Close the battery mount flip cover and turn back the screw

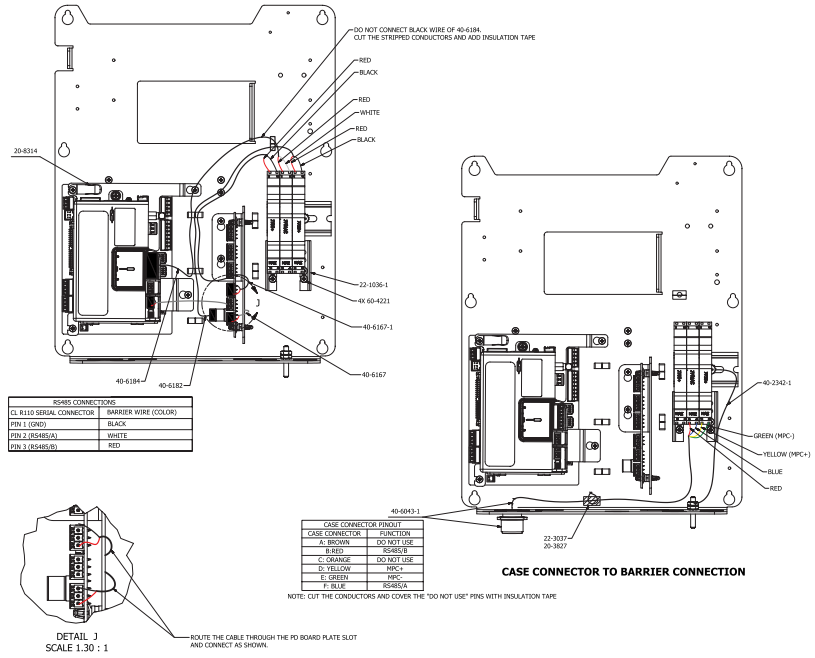
05

Configure modem/EC/ERX350/HMI settings  
(For more information, refer MIWI350 Installation and Operational Manual - FD-610)

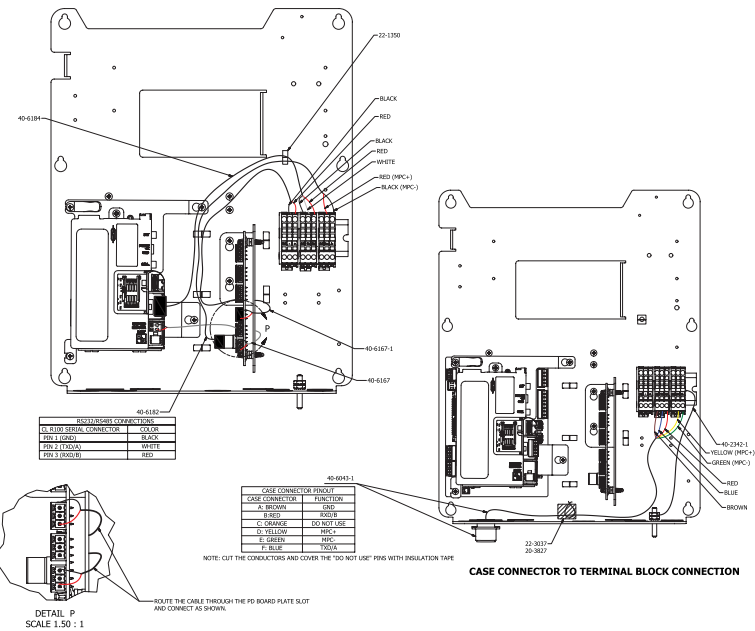
Barrier Connections



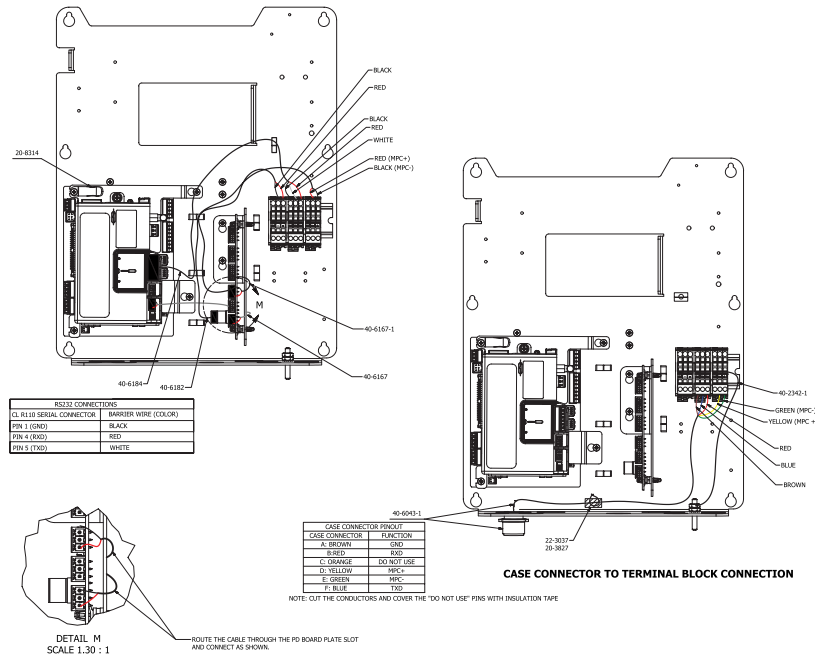
Barrier Connections



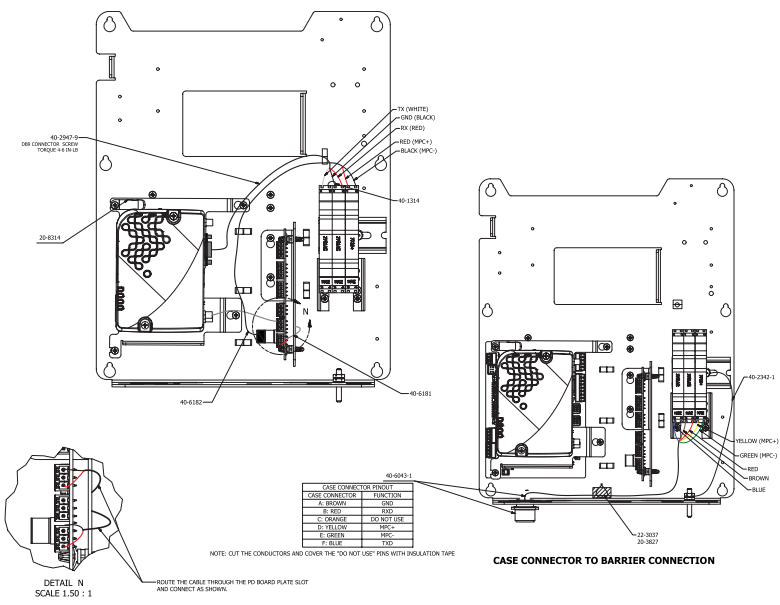
Terminal Block Connections



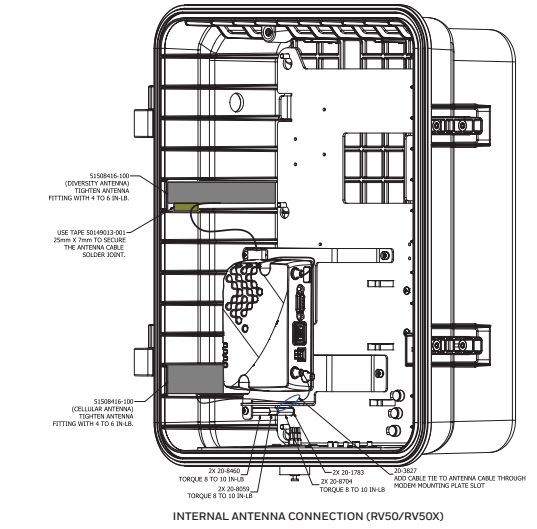
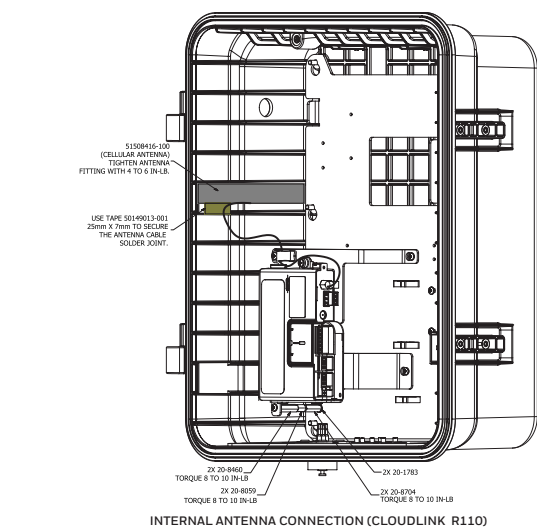
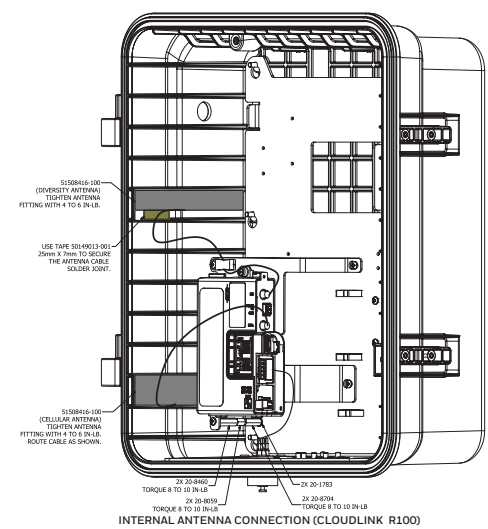
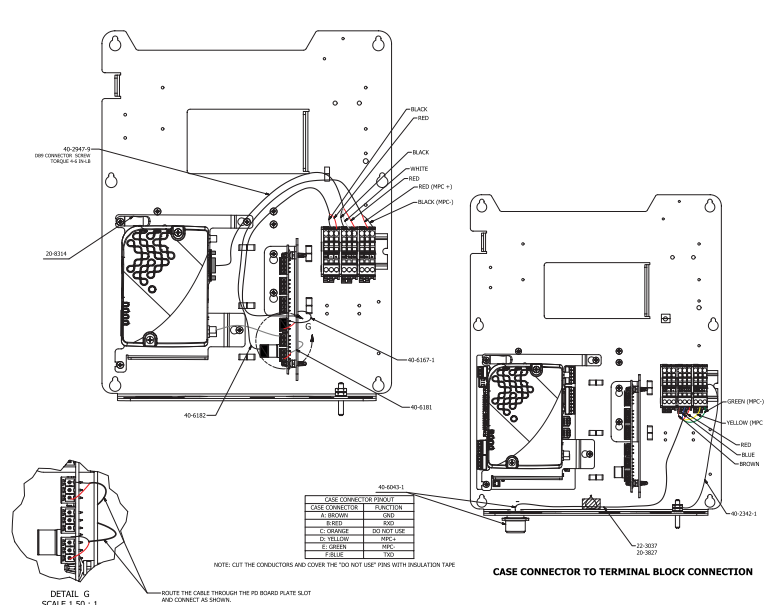
Terminal Block Connections



Barrier Connections



Terminal Block Connections



For more information:

To learn more about Honeywell's Smart Gas Metering Solutions, visit [www.honeywellprocess.com](http://www.honeywellprocess.com) or contact your Honeywell Process Solutions representative.

**Honeywell Process Solutions**  
1280 Kemper Meadow Drive Cincinnati, OH 45240  
855-251-7065 – United States & Canada  
302-669-4253 – Outside the United States  
MI-TAC-Support@Honeywell.com

NOTES