

Product Overview

The MIWI350 product is designed to replace the current Honeywell MiWireless platform with a more competitive, reliable and easy to use solution. The MIWI350 product line provides a comprehensive selection of communication hardware and power supply systems optimized to integrate with Mercury Instruments' precision measurement instrumentation. It also includes software for Remote Monitoring and Data Acquisition (RMADA), including alarm handling and notification.

The MIWI350 device includes:

- An inbuilt Electronic Volume Corrector or Electronic Recorder
- A built-in electronic cellular modem



Product Features

- CSA C/US Class 1, Division 2, Group C & D
- Compatible with MasterLink and Power Spring software
- Available in UMB (Universal Mounting Bracket), Wall, Pipe, and Portable mounting options
- Internal or External Mounted Display
- Modem Power Control
- Optional Backup Battery for Uninterrupted EVC Functionality

Power Supply Options

- Solar Power with rechargeable Sealed Lead-Acid Battery (Refer to FD-612)
- Battery - Alkaline Packs (Dual/Quad) (Refer to FD-613)
- External DC Supply Input (7.5V to 24V) (Refer to FD-614)

This quick-start guide covers Battery - Alkaline Packs (Dual/Quad) option only.

General Safety Precautions

- Lock the battery mount bracket flip cover properly after mounting the battery
- Close the door of the MIWI350 device properly
- Check the lock and latch, and lock the MIWI350 device properly
- Check the padlock properly while locking the MIWI350 device

Safety and Hazardous Information

MIWI350 complies with the general safety standards and regulations. MIWI350 is approved for use in hazardous areas (Class I Division 2). Check the operating condition limits of MIWI350 before installing. You must be familiar with the currently applicable electrical installation standards and regulations before installing and operating MIWI350 in hazardous areas.

Warning: Denotes an explosion hazard. Ensure you follow all instructions described in the warning notification.

Caution: The caution warns you of possible damage to property and provides instructions to avoid damage to MIWI350.

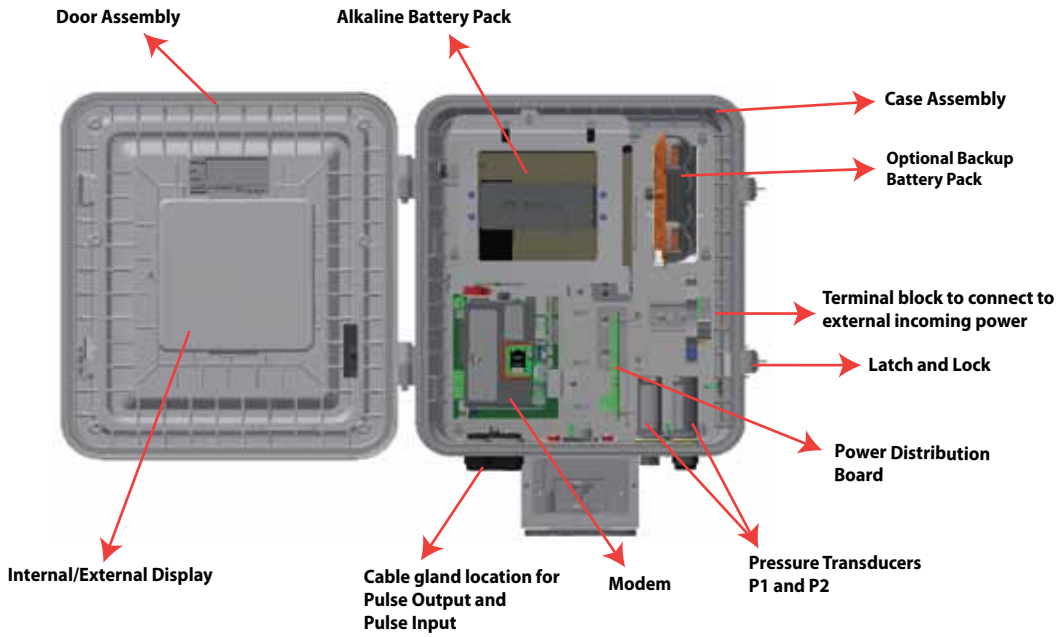
For more information on MIWI350 user manual, refer FD-610.

Unpacking

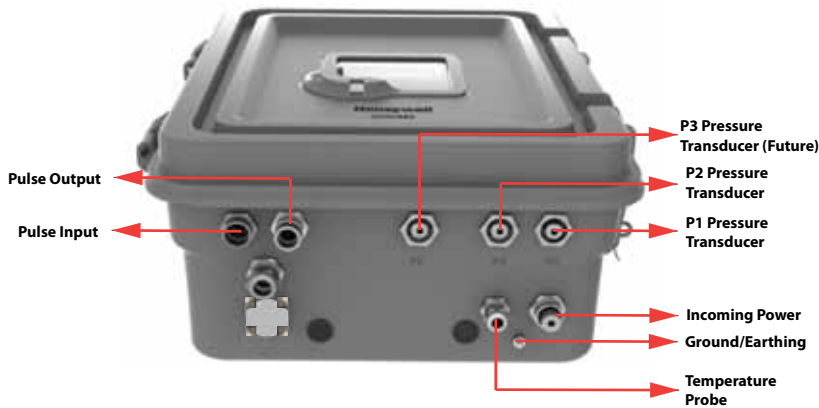
After you receive the MIWI350 device:

1. Remove the contents from the box and from the mounting kit bag.
2. Check the shipment against the invoice to ensure that the components ordered are installed in MIWI350.
3. Report any shortage or shipping damages to your nearest Honeywell Account Manager.

MIWI350 Device with Door and Case Assembly



Cable Gland Entries



Instrument Mounting Options

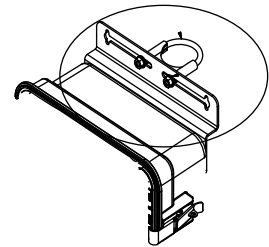
Install the MIWI350 device using one of the following mounting options:



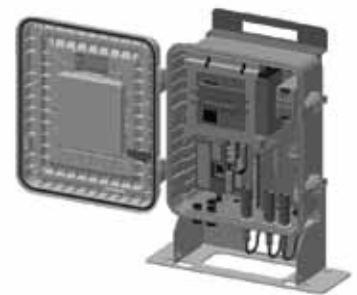
UMB Mount on the Meter



Wall Mount



Pipe Mount



Portable Mount

Setting up the MIWI350 Device



01

Release the door latches of the device one at a time, and open the door of the device



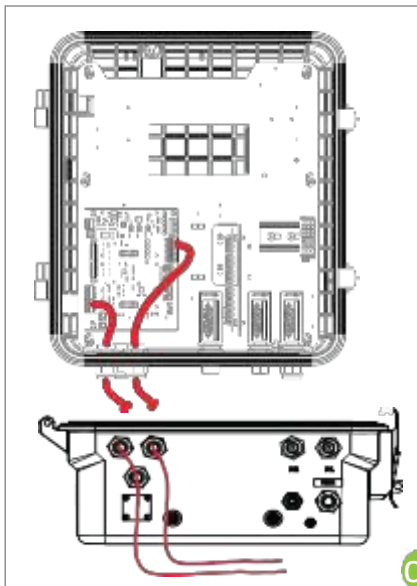
02

Install UMB on Instrument Drive gas meter (if applicable)



03

04



03

Route the pulse input/output cables through the glands (if applicable)



04

Install the temperature probe to the pipeline and tighten the nut to avoid leakage (if applicable)

Battery Installation

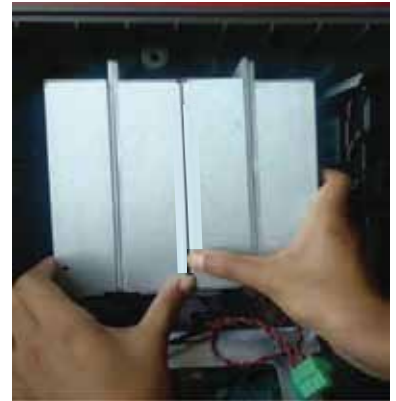


05

Quarter turn the screw and open the battery mount bracket flip cover (-cw)



(Or)



06

Dual battery pack

Quad battery pack

Insert the battery pack in the mount bracket through the guides of bracket and case



07

Close the battery mount flip cover and turn back the screw (+cw)



08

Connect the dual/quad battery cable to the alkaline battery power cable



09

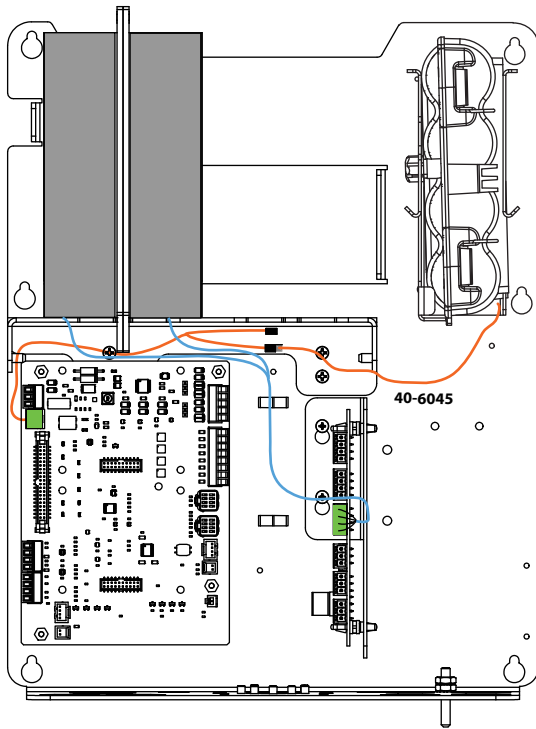
Close the door of the device properly. Also, check the padlock, latch, and lock the device.

10

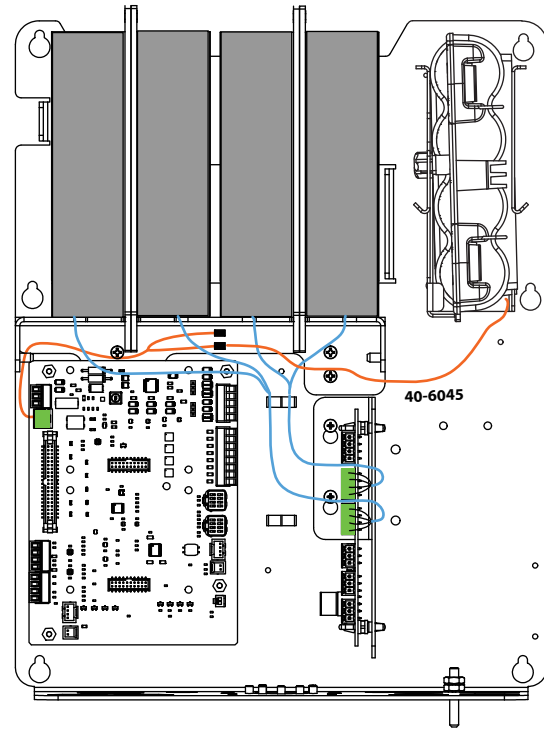
Configure modem/EC/ERX350/HMI settings
(For more information, refer MIWI350 Installation and Operational Manual - FD-610)

Reference Wiring Diagrams

Battery Power Supply Wiring with MIWI350-EC or MIWI350-ER



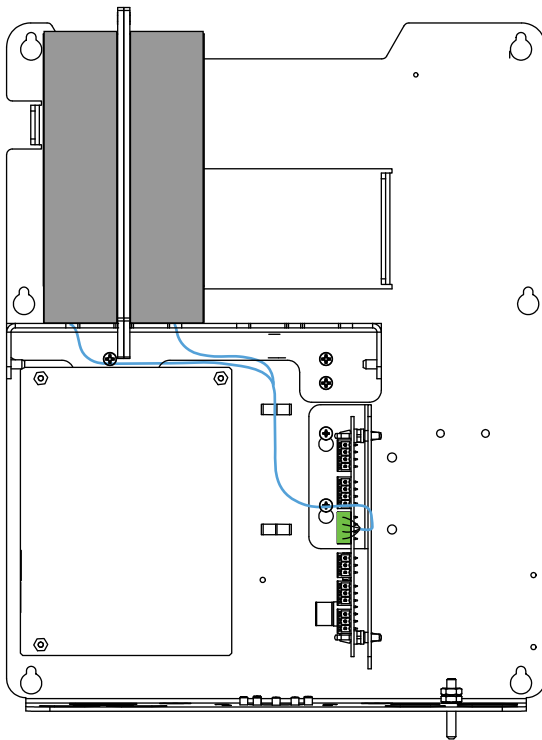
DUAL 18VDC ALKALINE RECEPTACLE PACK



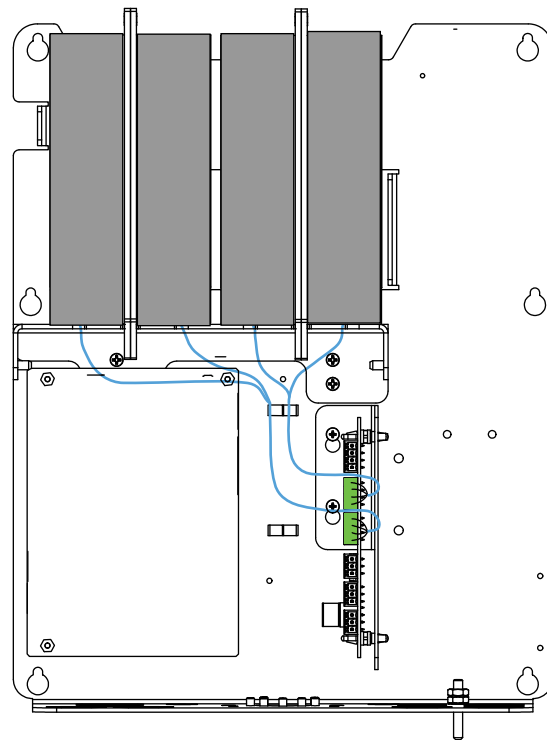
QUAD 18VDC ALKALINE RECEPTACLE PACK

Note: The cable color code/pin mapping are only for illustration purpose and don't match the actual cables.

Battery Power Supply Wiring without MIWI350-EC or MIWI350-ER



DUAL 18VDC ALKALINE RECEPTACLE PACK



QUAD 18VDC ALKALINE RECEPTACLE PACK

Note: The cable color code/pin mapping are only for illustration purpose and don't match the actual cables.

List of associated cable assemblies pre-installed in the device

Part Number	Description
40-6045	ASSEMBLY CABLE POWER - BACKUP BATTERY

NOTES

For more information:

To learn more about Honeywell's Smart Gas Metering Solutions, visit www.honeywellprocess.com or contact your Honeywell Process Solutions representative.

Honeywell Process Solutions

1280 Kemper Meadow Drive Cincinnati,
OH 45240
855-251-7065 – United States & Canada
302-669-4253 – Outside the United States

MI-TAC-Support@Honeywell.com

FD-613 | Version 1.00 | April 2019
©2019 Honeywell International Inc

Honeywell
THE POWER OF **CONNECTED**