

FWA-2012

Rackmount Platform for Network Application with Intel® Atom® C3000 Processor



Features

- Intel® Atom® C3000 System On Chip up to 16 cores Processor with QAT
- DDR4 2400 ECC registered memory up to 64GB
- Optimized LAN Port Extension
- Maximized storage options
- IPMI 1.2
- Advanced Platform Reliability and Serviceability

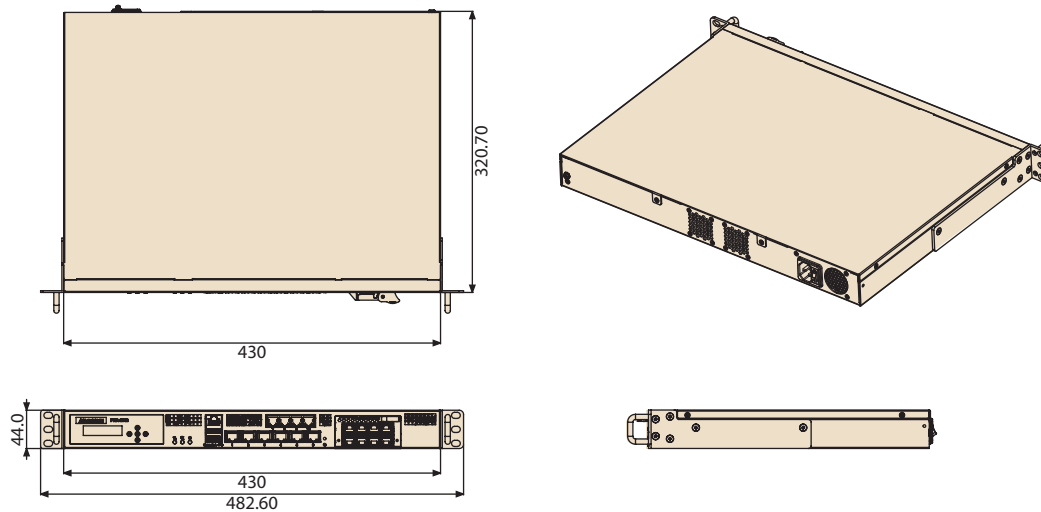


Specifications

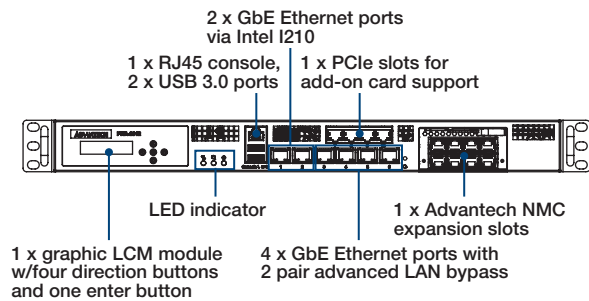
| | | FWA-2012-4CA1S | FWA-2012-8CA1S | FWA-2012-12A1S |
|------------------------|--|---|--------------------|--------------------------|
| Processor System | Processor | Intel® Atom™ C3000 | | |
| | Core Number | 4 core | 8 core | 12 core |
| | Frequency | 2.2GHz | 2.2GHz | 2.0GHz |
| | L2 Cache | 2MB/Core | 2MB/Core | 2MB/Core Pair |
| | Chipset | Intel® Atom™ C3558 | Intel® Atom™ C3758 | Intel® Atom™ C3858 |
| | BIOS | AMI Efii 64Mbit | | |
| Virtualization | | VT-x, VT-d | | |
| Memory | Technology | DDR4, 2133/2400MHz | | |
| | Max. Capacity | 64GB | | |
| | Socket | 2 x 288-pin DIMM | | |
| | ECC Support | ECC | | |
| Networking | Controller | 4 x Marvell 88E1543 2 x Intel i210 | | |
| | 1GbE | 4 x 1GbE RJ45 via Marvell 1543 with 2 pairs LAN Bypass 2 x GbE RJ45 port via Intel i210 | | |
| | LAN bypass | Advanced Legacy | 2 segment - | |
| | Expansion | PCIe x4 NMC | - - | 1 x PCIe-2002 1 x NMC |
| Storage | 2.5" HDD/SSD | 1 x 3.5" HDD/mSATA | | |
| | 3.5" HDD | 1 x 2.5" HDD/mSATA | | |
| | m.2 SSD | 2 x M.2 (2280) | | |
| I/O | Console port | 1 | | |
| | USB3.0 | 2 | | |
| | LED Indicator | Power/Status/Location LED | | |
| | Reset button | Yes | | |
| | Others | 1 x AC Power Switch | | |
| | TPM | | 1.2 | |
| LCD Module | | 16 x 2 graphic display, 5 buttons | | |
| Power | Power Type | AC | | |
| | Watts | 150 W | | |
| | Input | 100 V ~ 240 V | | |
| | Connector | AC 2pin plug | | |
| | Power Adaptor | AC PSU | | |
| Environment | Operating Temperature (air flow 0.7 m/sec) | 0 ~ 40 °C (32 ~ 104 °F) | | |
| | Non-operating Temperature | -40 ~ 60° C (-40 ~ 140° F) 5 ~ 95% | | |
| | Vibration Resistance | with SATA HDD: 0.5 Grms, IEC 60068-2-64, 5-500Hz, 1hr/axis | | |
| Cooling | Shock Protection | with SATA HDD: 10G, IEC-60068-2-27, half sine, 11ms duration | | |
| | | 2 x system Fans | | |
| Mechanical | Construction | Iron | | |
| | Mounting | 1U Rackmount | | |
| | Dimensions (W x H x D) | 430 x 44 x 320.7 mm (16.7" x 1.7" x 12.6") | | |
| | Weight | 6.6 Kg (14.5 lbs) | | |
| OS Support | | Linux (CentOS, Red Hat, Ubuntu) | | |
| Advantech S/W Packages | | QuickStart Linux Image (CentOS based reference BSP) including | | |
| | | <ul style="list-style-type: none"> ▪ afwu ▪ ipmitool ▪ lmsensors ▪ LCD4Linux ▪ Intel DPDK ▪ Advanced LBP utility Individual packages: <ul style="list-style-type: none"> ▪ Advanced LBP utility | | |
| IPMI | | Low cost Carrier Grade BMC, IPMI v2.0 compliant (Advantech IPMI Core) | | |
| Certification | | CB/UL/CE/FCC/CCC | | |

Dimensions

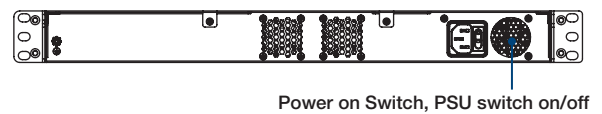
Unit: mm



Front Panel External I/O Mechanical Layout/Drawing



Rear Panel External I/O Mechanical Layout/Drawing



Ordering Information

| Part No. | CPU | DDR4 | PCIe slot | NMC slot | USB 3.0 | RJ45 Lan Port | Console Port | LCM | PSU |
|----------------|-------------------------|------|-----------|----------|---------|---------------|--------------|-----|-------------|
| FWA-2012-4CA1S | Intel® Xeon® Atom C3558 | 2 | N/A | 1 | 2 | 4 | 1 | 1 | 150W AC PSU |
| FWA-2012-8CA1S | Intel® Xeon® Atom C3758 | 2 | 1 | 1 | 2 | 4 | 1 | 1 | 150W AC PSU |
| FWA-2012-12A1S | Intel® Xeon® Atom C3858 | 2 | 1 | 1 | 2 | 4 | 1 | 1 | 150W AC PSU |

Packing List

| Part Number | Description |
|---------------|--------------------------------------|
| 1700020691-01 | Console cable D-SUB9P(F)/RJ45 220 cm |

Optional Accessories

| Part Number | Description |
|-------------|-----------------------------|
| 1702002600 | Power cord 3P 180cm, USA |
| 1702002605 | Power cord 3P 180cm, Europe |
| 1702031801 | Power cord 3P 180cm, UK |
| 1700000237 | Power cord 3P 180cm, JP |
| 1700009652 | Power cord 3P 180cm, China |