

# PCM-24S33G

3.75G HSPA and GPS, Full-size mPCIe, Front-accessible dual SIM card slots, 3G/GPS antennas

NEW



## Features

- Meets Advantech iDoor Technology Standard
- PCI Express® Mini Card Specification Revision 1.2 compliant
- 6-bands, 800/850/900/1700/1900/2100 MHz for UMTS/HSPA network
- 850/900/1800/1900 MHz for EDGE/GPRS/GSM network
- With hardware standalone GPS, u-blox MAX-6
- With SIM card holder
- HSDPA 7.2 Mbps, HSUPA 5.76 Mbps
- Operating temperature: -40 ~ 85°C (-40 ~ 185°F)
- Supports 32/64-bit Windows XP/7/8/8.1/10, Linux 2.4/2.6
- Supports Embedded Automation PC UNO-2200/2300/2400 series
- Supports Control DIN-Rail PC UNO-1200/1300/1400 series
- Supports Control Cabinet PC UNO-3200/3300/3400 series
- Supports Control Panel Computers TPC-xx81/xx82 series

## Introduction

The PCM-24 series are communication modules from Advantech iDoor Technology. They are all compatible with PCI Express® Mini Card Specification Revision 1.2, including isolated / non-isolated RS-232/422/485 communication cards for automation control, Wi-Fi/3G/GPS/GSM/LTE wireless communication models for data exchange for management and machine level automation applications; and PoE function for smart cameras in detection-inspection-production applications. This is a flexible design that enables customers to customize their features with iDoor Technology.

## Specifications

### General

- Form Factor** PCI Express Mini Card Revision 1.2
- Interface** USB
- Certification** CE, FCC class A
- Dimensions** Module: 51 x 30 x 12.4 mm (2" x 1.18" x 0.49")  
I/O Plate: 81 x 19.4 x 41 mm (3.19" x 0.76" x 1.61")
- Power Consumption** 3.3~3.6 V, <700 mA (HSPA connected mode)
- Antenna** 824~960 MHz, 1710~2170 MHz dipole antenna, 109 mm  
GPS antenna 1575MHz, cubic antenna 45 x 35 x 14 mm, wire length 5000mm
- Cable** Coaxial GSM/ GPS cable, 250 mm

### Communications

- Frequency Band** UMTS/HSPA: 800/850/900/1700/1900/2100 MHz  
EDGE/GPRS/GSM: 850/900/1800/1900 MHz
- Data throughput** Downlink: 7.2 Mbps  
Uplink: 5.76 Mbps

### Software

- OS Support** Microsoft® Windows® XP/7/8/8.1/10, Linux Ubuntu 14.04

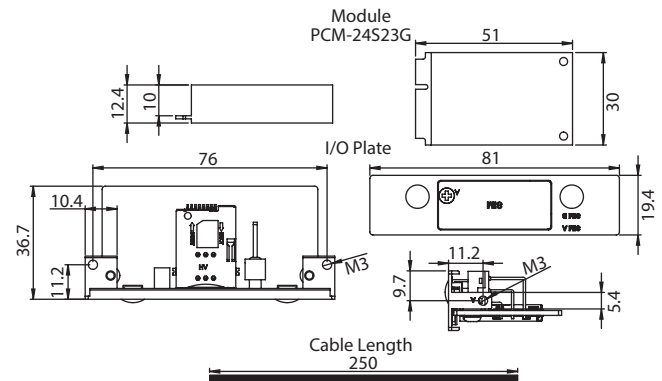
### Environment

- Humidity (Operating)** 5-95% RH, non-condensing
- Operating Temperature** -40 ~ 85°C (-40 ~ 185°F)

## Regulation

PCM-24S33G-AE employs u-blox LISA

## Dimensions



## Ordering Information

- PCM-24S33G-AE** 3.75G HSPA/GPS, Full-size mPCIe, Front-accessible dual SIM card slots, 3G/GPS antennas

## User scenario

